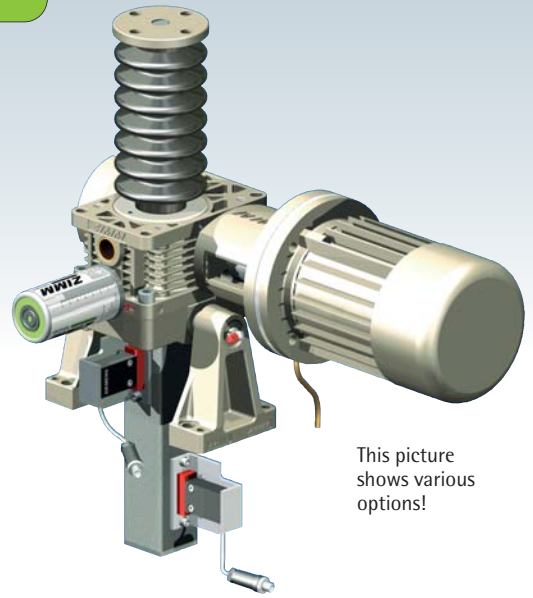


Checklists - Sheet 1 - Parameters

Company: _____ Date: _____
 Address: _____ Phone: _____
 Contact: _____ Fax: _____
 Dept.: _____ E-mail: _____

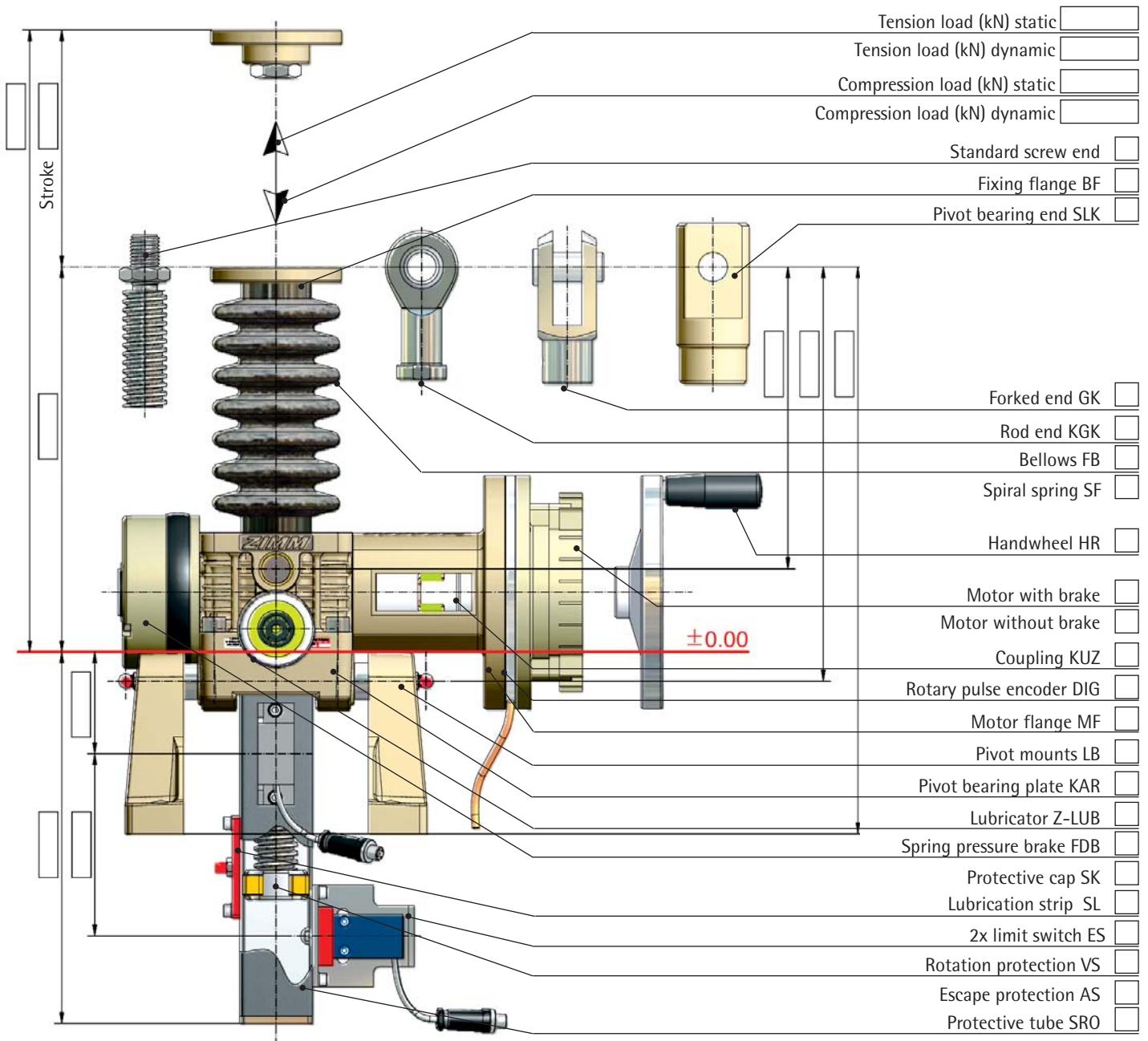
- 1. max. lifting force in kN**
- per gearbox _____ kN for the entire system _____ kN vertical horizontal pivoting
- in tension _____ kN in compression _____ kN **Type of load**
- Load: static _____ kN dynamic _____ kN smooth impact loads vibration
- 2. max. lift/travel** _____ mm effective working stroke _____ mm
- For short stroke applications
 (eff. working stroke < gearbox height): regular lubrication stroke practical not practical
- 3. Lifting speed**
- type N = 25 mm/s (1.5 m/min) type L = 6.25 mm/s (0.375 m/min) _____ mm/s
- 4. Duty factor, work cycle, description of cycle**
- _____ strokes per hour _____ strokes per day Hours per day 8 16 24
- i** For high duty factors or long strokes, please provide an exact detailed description on page 141, 4a
- 5. Type** S "Translating screw" R "Rotating screw" | Z screw jack GSZ screw jack
- 6. Motor** Three-phase AC motor With brake Manual release _____
- 7. Operating conditions:** Dry Humid Dust Chipping _____
- Guided movement No guides (no dyn. lateral forces)
- Ambient temperature: min. _____ °C max. _____ °C (when <10°C and >40°C)
- i** If possible please provide an exact description or sketch on page 141, 7a
- 8. Standard layouts no.:** _____ Size: MA1 _____ MA2 _____ MA3 _____ MA4 _____ MA5 _____
- see standard layouts, checklist sheets 5 and 6 (for multi-jack systems)
- 9. Quantity Required:** _____ Series: _____
- 10. Schedule Quotation:** _____ Delivery: _____

Checklists - Sheet 3 - List of components S

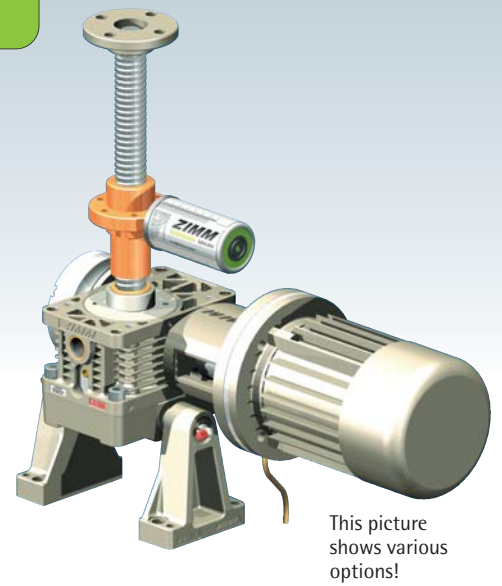


This picture shows various options!

- Type:
- SN (Translating screw, normal)
 - SL (Translating screw, low speed)
- Variant:
- Tr screw
 - SIFA safety nut
 - with SIFA monitoring
- KGT ball screw



Checklists - Sheet 4 - List of components R



Type:

- RN (Rotating screw, normal)
- RL (Rotating screw, low speed)

Variant:

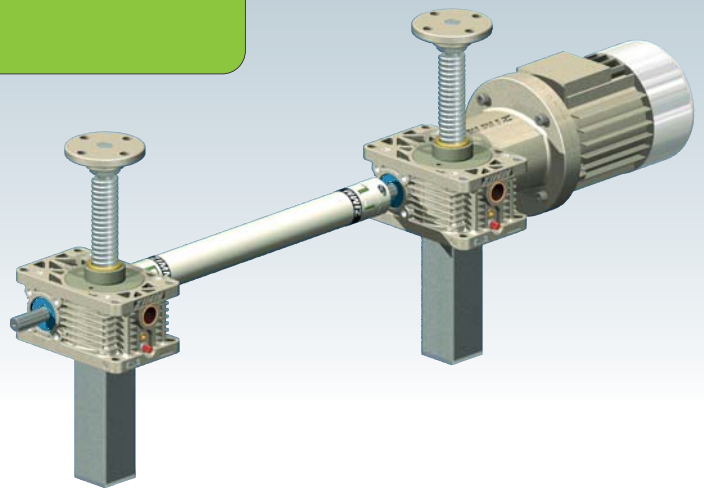
- Tr screw
- SIFA safety nut
- with SIFA monitoring

- KGT ball screw

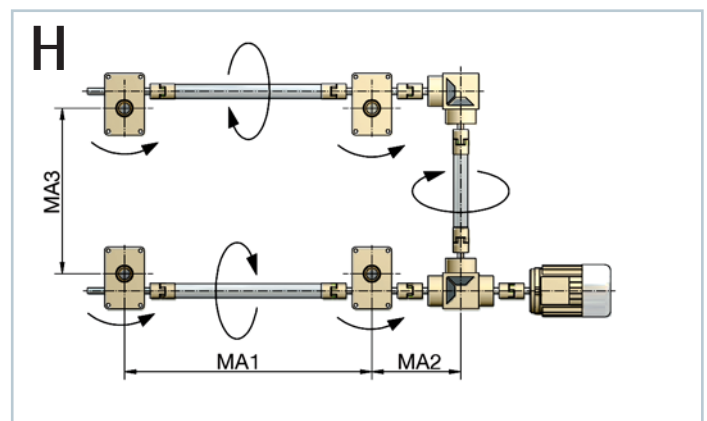
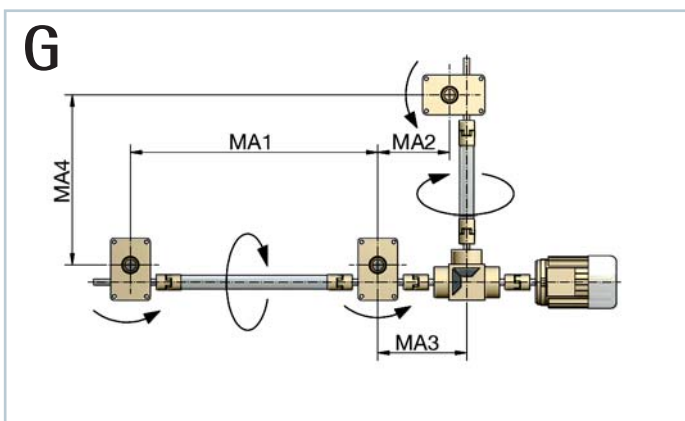
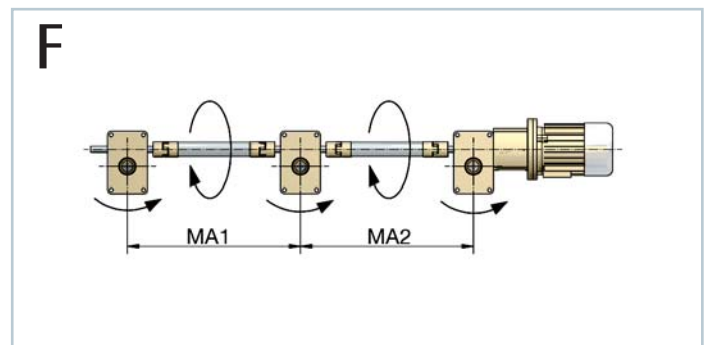
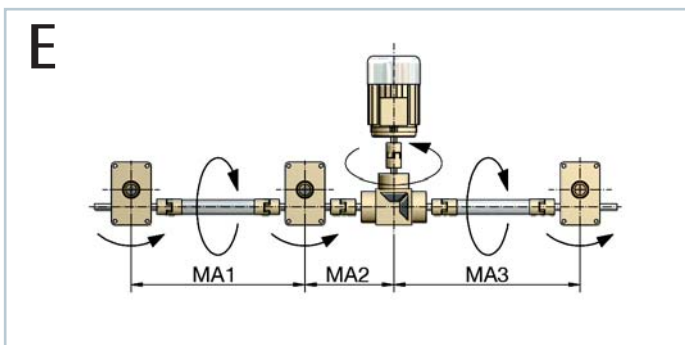
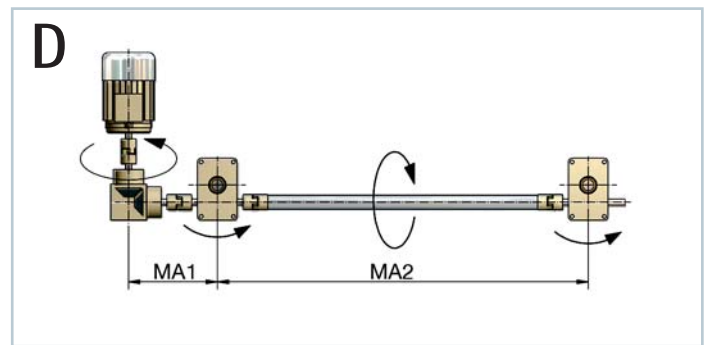
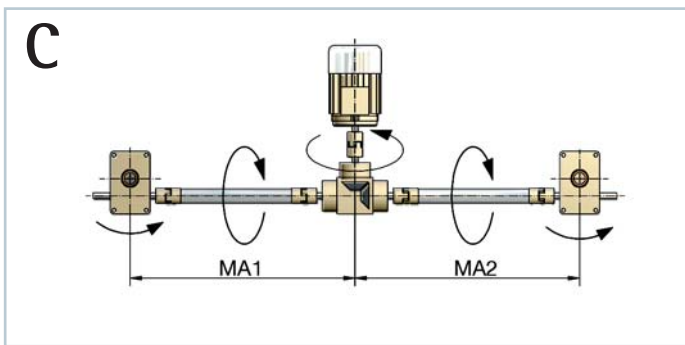
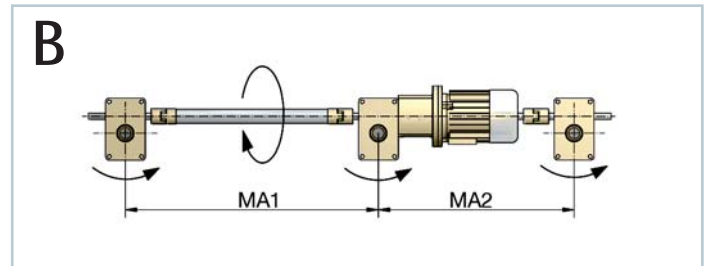
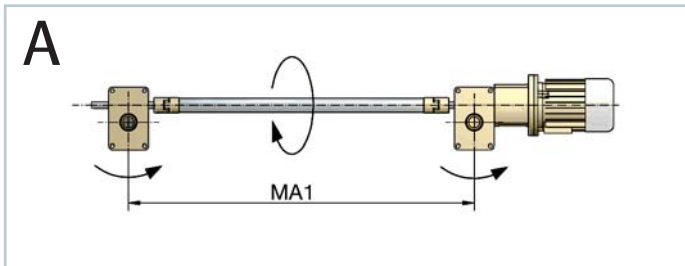
Stroke

±0.00

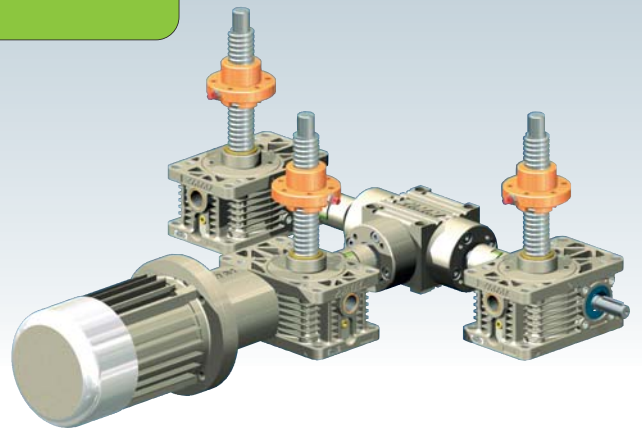
- Tension load (kN) static
- Tension load (kN) dynamic
- Compression load (kN) static
- Compression load (kN) dynamic
- Opposed bearing plate GLP
- Bellows FB
- Spiral spring cover SF
- Lubricator Z-LUB
- Cardan adapter DMA
- Duplex nut DM
- Tr flange nut FM
- KGT flange nut KGT-F
- Self-aligning nut PM
- Greaseless nut FFDM
- Driving flange TRMFL
- Safety nut SIFA
- Wear monitoring SIFA Control
- Handwheel HR
- Motor with brake
- Motor without brake
- Rotary pulse encoder DIG
- Motor flange MF
- Coupling KUZ
- Pivot mounts LB
- Pivot bearing plate KAR
- Spring pressure brake FDB
- Protective cap SK



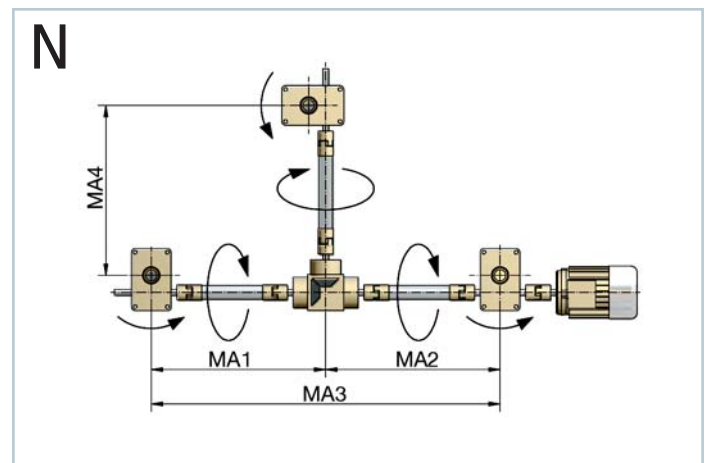
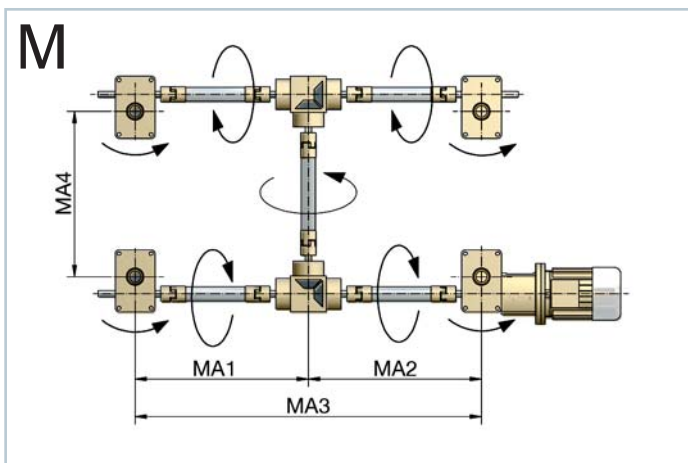
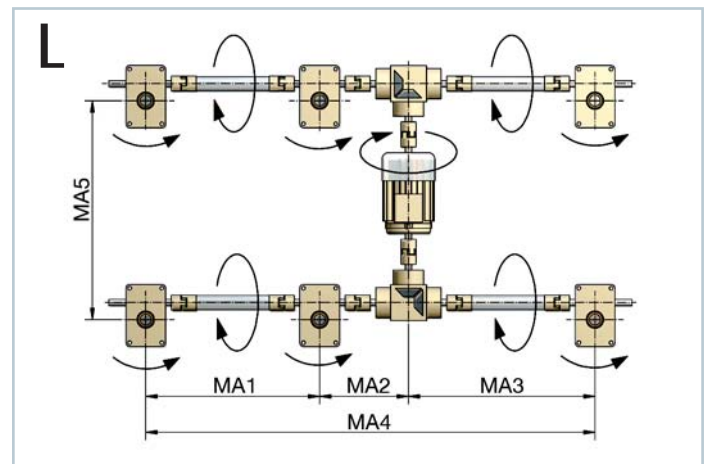
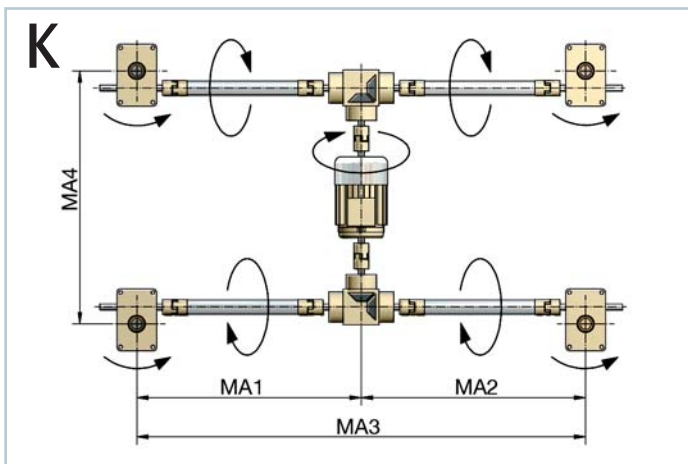
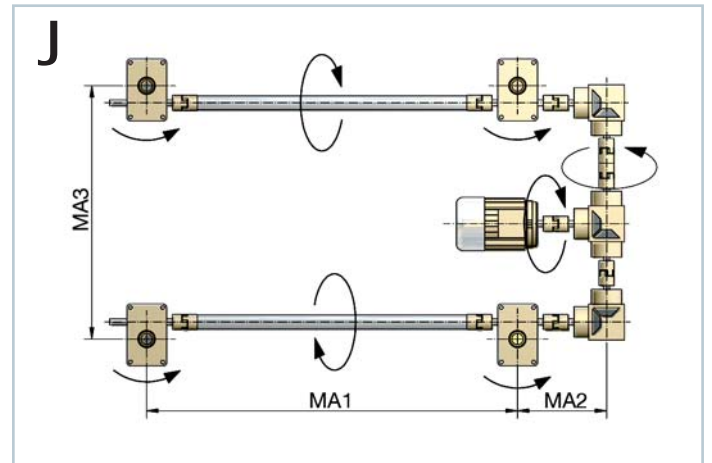
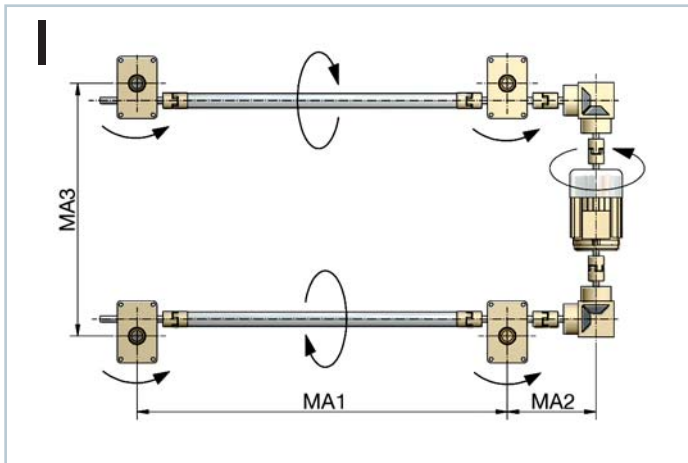
Checklist - Sheet 5 - System layouts



The most common layouts are shown. If your design is different, be sure to check the direction of rotation!



Checklist - Sheet 6 - System layouts



The most common layouts are shown. If your design is different, be sure to check the direction of rotation!